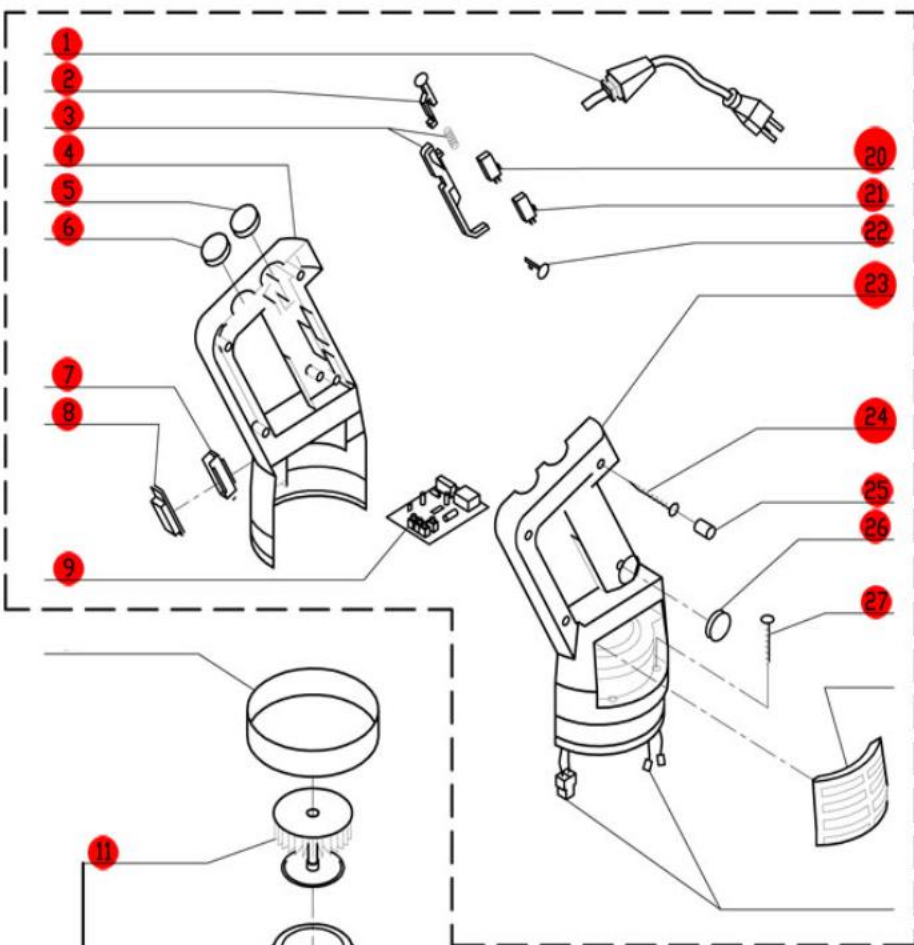
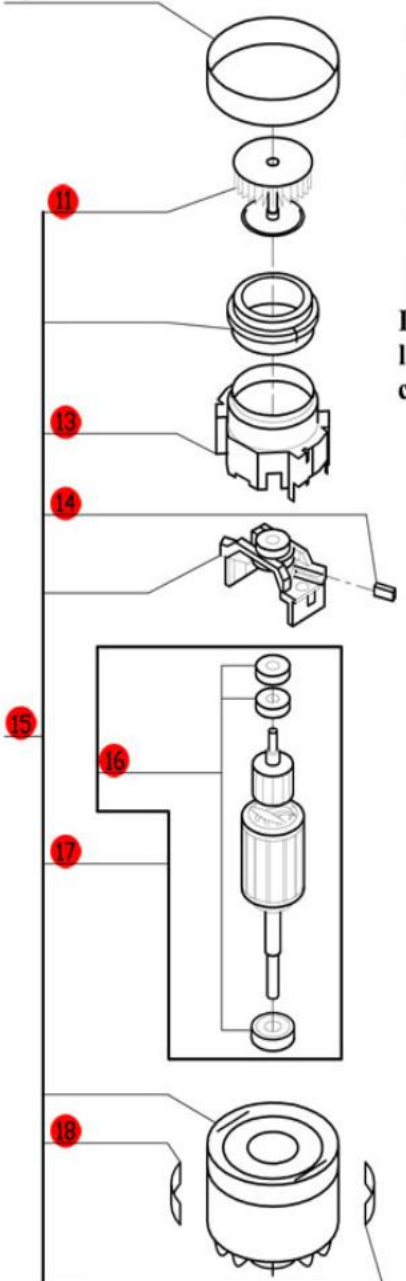


1- Speed, 120 Volt, 1 Phase, 60Hz.,
10,000 RPM, 600 Watt, 5 Amp



If replacing internal parts within dashed lines, order a set of replacement screw caps, part # MP29544.



**Click on Red Dot
OR
Call us
800-465-6060**

