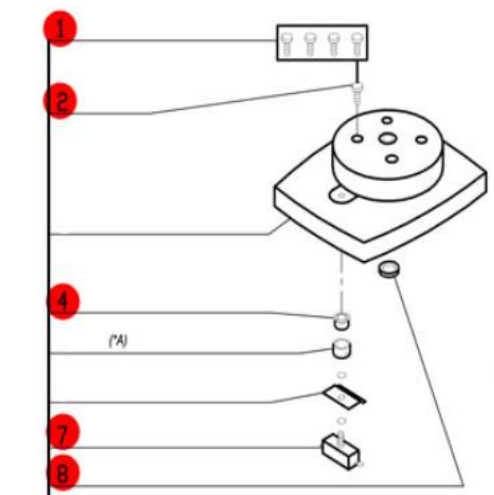
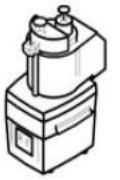


R2C (old style)

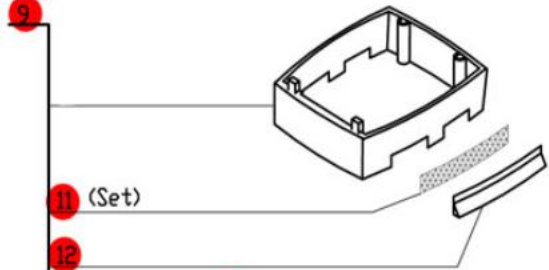
Old Style Machines-Machines with no push buttons

1-Speed, 120 Volt, 1 Phase, 60Hz., 1/2 HP.

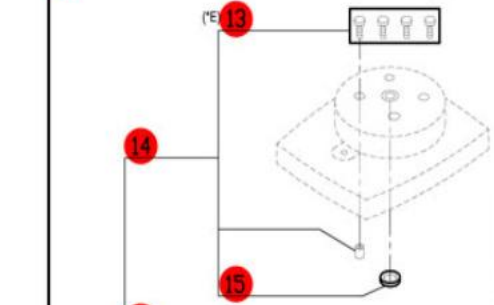
1725 RPM, 7 Amps



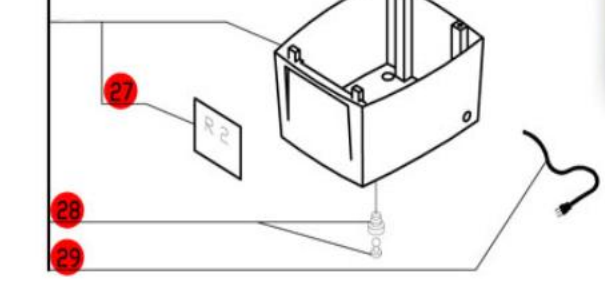
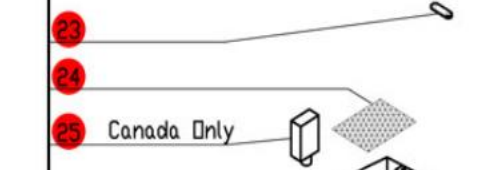
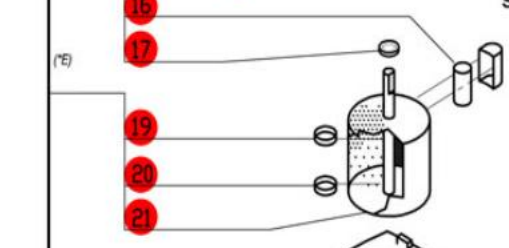
(*A)
Part no longer available.



CLICK HERE FOR DISCS



(*E) R239K includes a set of screws, spacers, and a motor support seal.



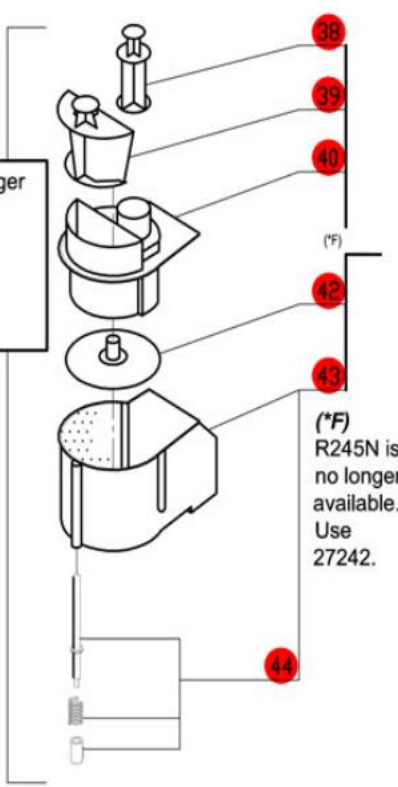
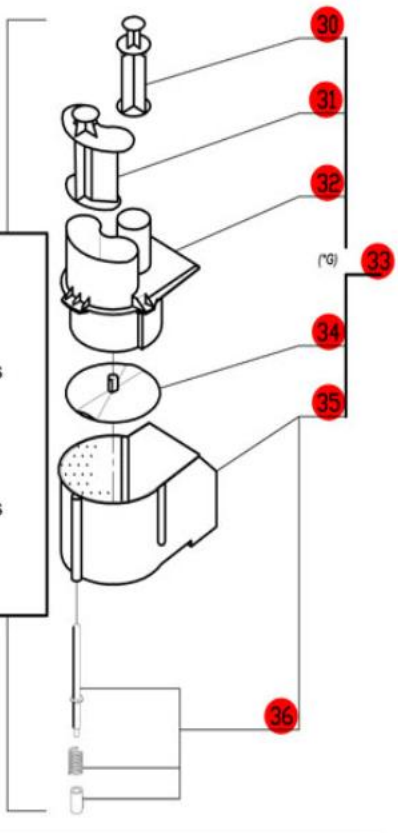
(*G)
27242

USA
Serial Numbers
Beginning
230xxxxx03

Canada
Serial Numbers
Beginning
R2010500

Before (MFG Code F6)

R205 is no longer available.
Use R205N, R228N, and R229N.



(*F)
R245N is no longer available. Use 27242.

**Click on Red Dot
OR
Call us
800-465-6060**

ACCESSORIES

