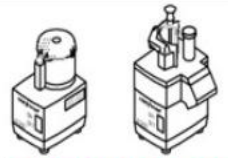


To Serial Number FP002243. Also Ser. Numbers 34/xxxxx

1-Speed, 120 Volt, 1 Phase, 60Hz., 1/2 HP.

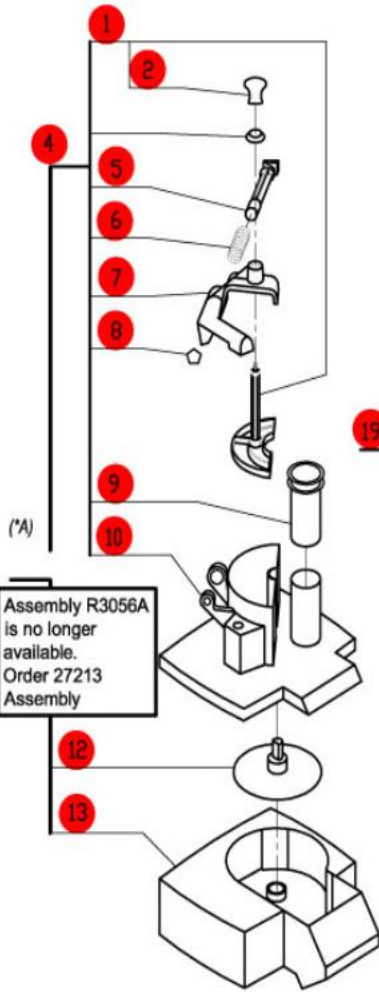
1725 RPM, 9 Amps



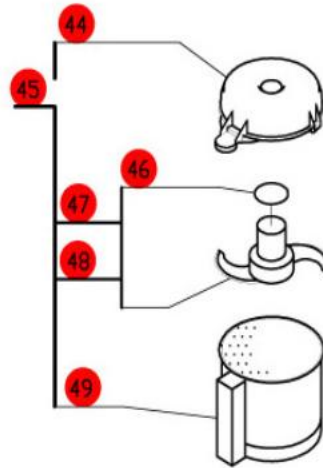
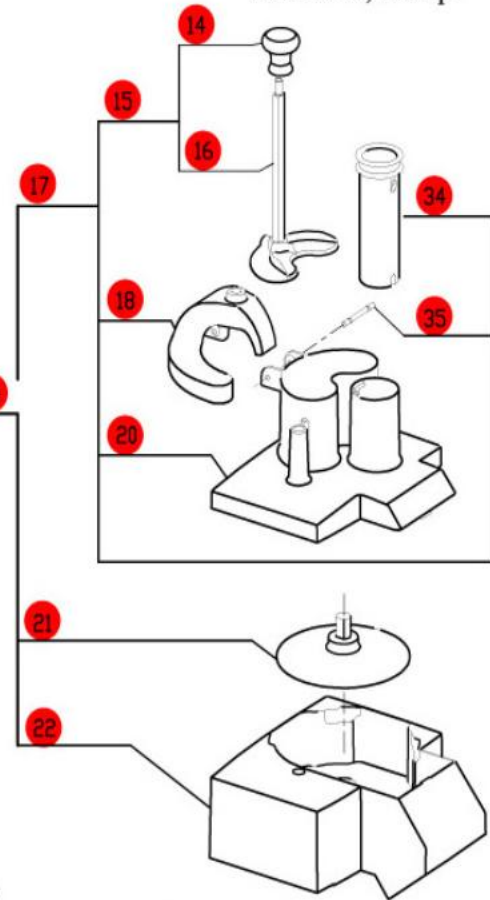
**CLICK HERE FOR DISCS**



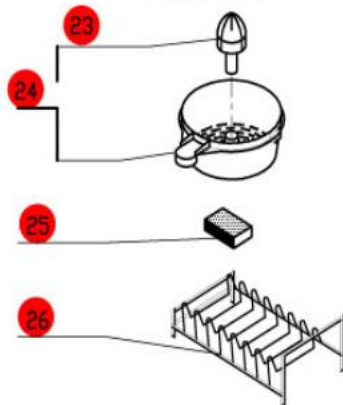
**Click on Red Dot  
OR  
Call us for help  
800-465-6060**



(\*A)  
Assembly R3056A  
is no longer  
available.  
Order 27213  
Assembly



**ACCESSORIES**



(\*A) No Longer Available.

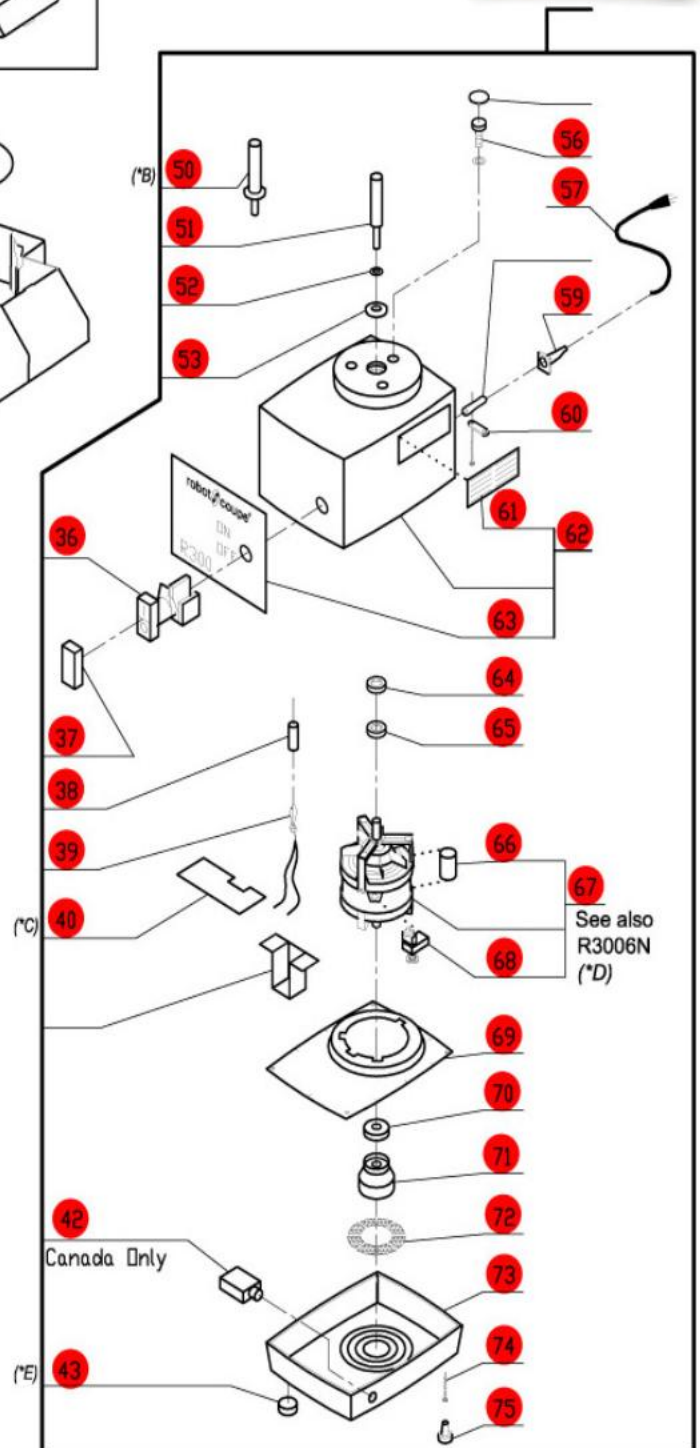
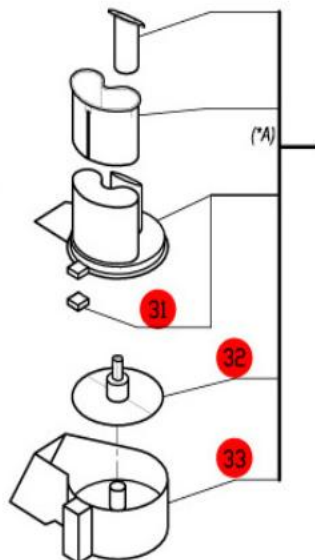
(\*B) Plastic shaft cover is still available for machines 12/xxxxx

(\*C) Part number R3040 comes complete with magnetic switch.

(\*D) R3006N motor with plastic shaft cover R3024 is no longer available. Use a R3006U motor with R3064U shaft, R3065U deflector, R240 power cord, R3034 strain relief, and R3045 cord protector.

The R3006UB motor and the R3006K motor conversion kit cannot be used on R300 models.

(\*E) After serial number 34/36801 use R101 white foot.



(\*B)

(\*C)

(\*E)

See also  
R3006N  
(\*D)

Canada Only