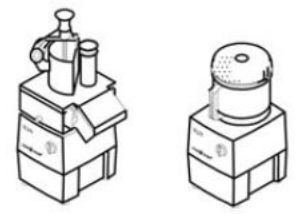


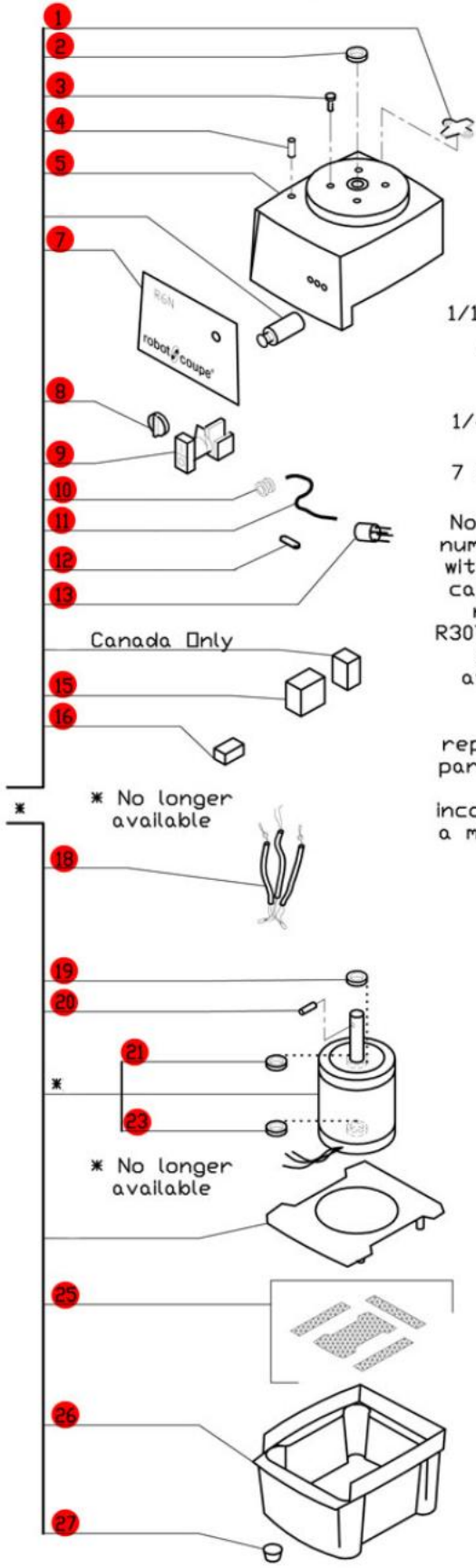
R6 Series

R6N, R6B, R6C

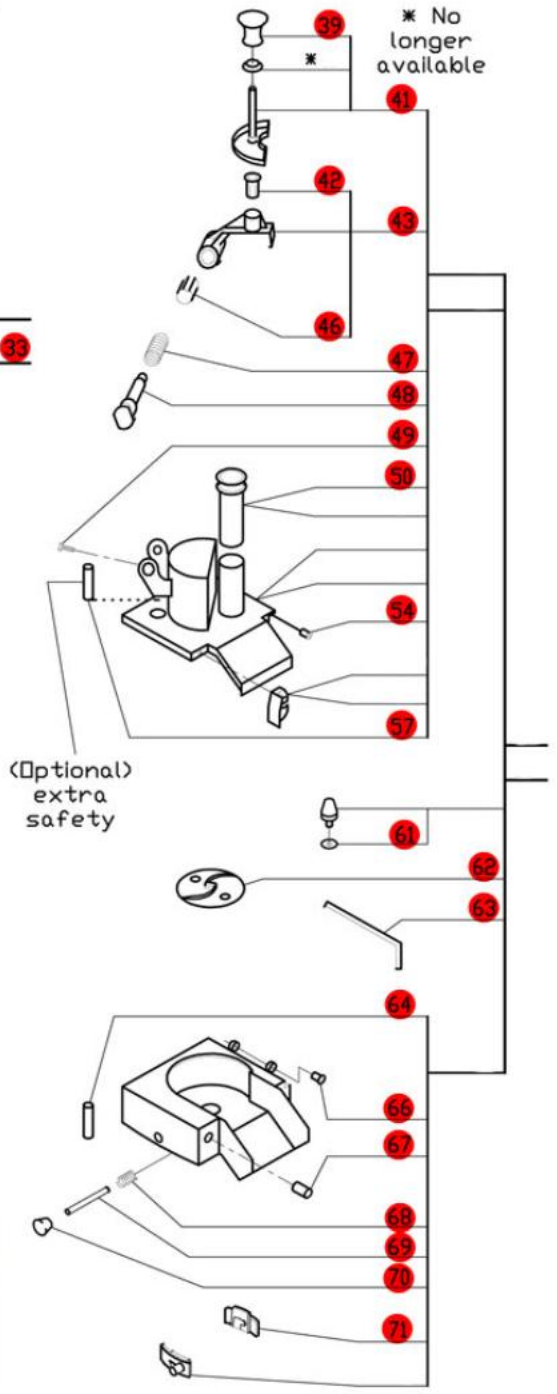
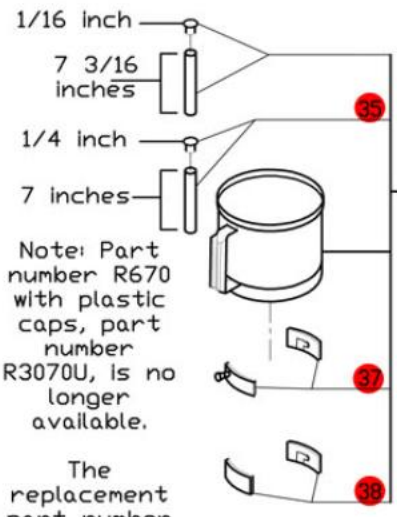
Machines Manufactured before March of 1996
 Serial Numbers up to R6N002727N also R6N002767N to R6N002768N
 2-Speed, 208-240 Volt, 3 Phase, 60Hz., 1 HP.
 Low Speed-850 RPM, 2.6 Amps
 High Speed-1725 RPM, 2.8 Amps
 Use C Designated Plates.



CLICK HERE FOR DISCS



If you have a six-sided motor shaft, call the factory for blade parts.



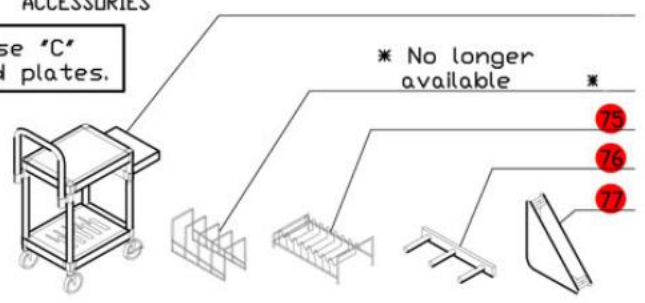
* No longer available

(Optional) extra safety

**Click on Red Dot
 OR
 Call us
 800-465-6060**

ACCESSORIES

NOTE: Use 'C' designated plates.



* No longer available