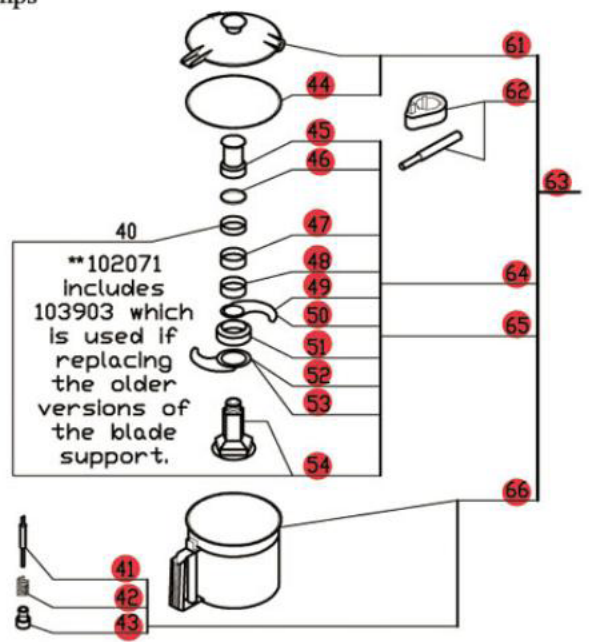
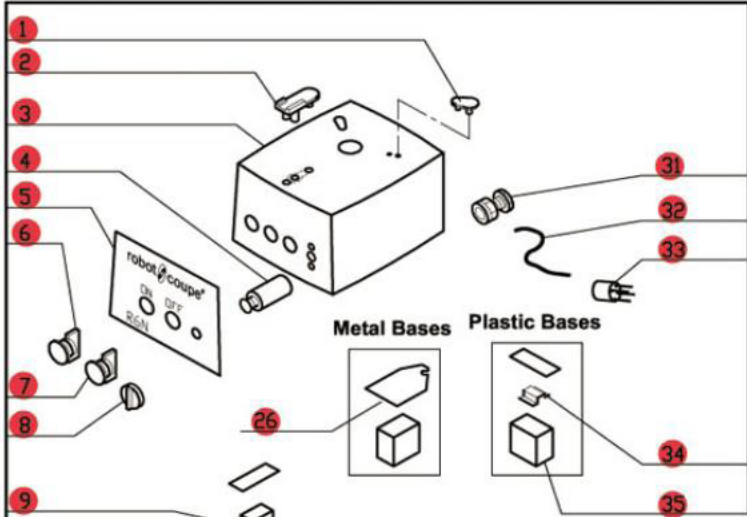
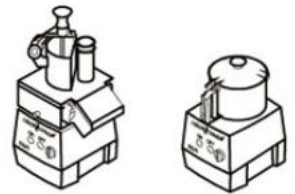


Series D, Serial Numbers 235xxxxx13
 2- Speed, 208-240 Volt, 3 Phase, 60Hz., 1 HP.
 Low Speed-850 RPM, 2.6 Amps
 High Speed-1725 RPM, 2.8 Amps
 Use Series-D Plates.



**Click on Red Dot
 OR
 Call us
 800-465-6060**

